

POWER TILLER/TWO-WHEEL TRACTOR DF-12L/DF-15L



DF12L/DF15L



DF12SL/DF15SL



Fitted with swather/reeper



ANTI-SKID IRON WHEEL MODEL 100-640N



FITTED WITH POWER DRIVEN DISK PLOUGH MODEL 1LYQ-300

STEERING WHEEL TYPE TRACTOR



Tractor



Trailer(Hydraulic)1.5T-2T



Trailer 1.5T-2T



FITTED WITH DOUBLE-FURROW PLOUGH MODEL 1LS-220



FITTED WITH CULTIVATOR DRILL MODEL 2BG-6A

H131 WALKING TRACTOR



FITTED WITH DISK PLOUGH MODEL 1LY-220



FITTED WITH SPRINKLER MODEL 8Y-80



FITTED WITH SWATHER/REAPER MODEL 4GL-120



FITTED WITH TRAILER MODEL 7C-17C-19H (For DF-12L/DF-12SL)
FITTED WITH TRAILER MODEL 7C-1.57C-1.58H (For DF-15L/DF-15SL)



50-90HP (2WD-4WD)



25-40HP (2WD-4WD)



Disc Harrow 1BJX
圆盘耙



Rotary Plough (Heavy)
重型四铧犁



Disc Harrow 1BQX
圆盘耙



Rotary Plough
双铧犁



Ridger(A)
起垄机



Ridger(B)
起垄机



Rotary Cultivator
旋耕机



Disc Plough
圆盘犁



Trailer
拖车

离心式交流鼓风机CENTRIFUGAL AC VENTILATOR

CZT is three-phase enclosed asynchronous motor driven type AC blower. With large volume, high wind pressure, low power consumption, low temperature rising, beautiful appearance and so on features. Widely used in families, canteens, small boiler, iron making combustion-supporting occasions and film, also can be used for air cooling system.

CZT由三相交流封闭异步电机驱动的离心式交流鼓风机。具有风量大、风压高、耗电省、温升低、美观大方等特点。广泛适用于家庭、食堂、小型锅炉、炼铁等助燃场合及吹膜之用，也可作送风冷却之用。



主要技术参数The main technical parameters

型号 Model	转速 Speed(r/min)	功率 Power(Kw)	电压 Voltage(V)	频率 Frequency(Hz)	电流 Electric current(A)
2"	3000/3600	0.15	220	50/60	1.0
2.5"	3000/3600	0.26	220	50/60	1.6
3"	3000/3600	0.37	220	50/60	2.0
4"	3000/3600	0.55	220	50/60	2.8

- Aluminum wire
- 100% Copper wire

电焊机 Electric Welder



ALTERNATOR

STC-3/5/7.5/10/12/15/20/24/30KW
ST-3/5/7.5/10/12/15/20/24/30KW



SPG6.8-500KW



ELECTRIC MOTOR



主要技术参数 The main technical parameters

型号 Model	AXG-160	AXG-200	AXG-250	AXG-315
指标.Index				
空载电压No-load voltage	60	65	65	65
焊接电流Welding current (A)	160	200	250	315
负载持续率Rated duty cycle(%)	60	70	70	70
焊接最大功率 (KW)Max welding power(KW)	6	9.5	12	15
可用焊接条直径 (mm) welding rod diameter(mm)	2.0-4.0	2.0-4.0	2.0-6.0	2.0-6.0
电流调节范围 (A)Current range(A)	60-160	60-200	60-250	80-315
直流发电电压 (V) DC Generating Voltage(V)	230	230	230	230
发电电流 (A)Generating Current(A)	6	8	10	12
工作方式Duty cycle	持续Continuous	持续Continuous	持续Continuous	持续Continuous
发电最大功率 (W)Max Generating power(W)	1500	1800	2000	3000
充电电压 (V) Charging voltage(V)	12-24	12-24	12-24	12-24
最大充电电流 (A)Max charging current	20	25	30	36



ALTERNATOR&WELDING

SDC-5/7.5/10/12/15/20KW
SD-5/7.5/10/12/15/20KW



SPG6.8-500KW



SPG ALTERNATOR

型号 Model	输出功率 Output		电压 Voltage (V)	电流 Current (A)	转速 Speed (r.p.m)	效率 EFF(%)	功率 Power factor	转矩 Tstart/Tn
	HP	kW						
Y2-112M-4	5.5	4	380	8.82	1435	84	0.82	2.3
Y2-132S-4	7.5	5.5	380	11.7	1445	85	0.83	2.3
Y2-132M-4	10	7.5	380	15.6	1445	87	0.84	2.3
Y2-160M-4	15	11	380	22.3	1450	88	0.84	2.2
Y2-160L-4	20	15	380	30.1	1450	89	0.85	2.2
Y2-180M-4	25	18.5	380	36.5	1460	90.5	0.86	2.2
Y2-180L-4	30	22	380	43.1	1460	91	0.86	2.2
Y200L-4	40	30	380	57.6	1460	92	0.86	2.2
Y2-225S-4	50	37	380	69.9	1470	92.5	0.87	2.2



FAN



COPPER RING



VOLTMETER 300A/ 500A



SWITCH BOX



BRIDGE RECTIFIER



CARBON BRUSH HOLDER



CARBON BRUSH



CARBON BRUSH HOLDER



CARBON BRUSH BAR



170F/173F
4HP



178F/180F
7HP



186FA/188F
9HP



GX160/GX200
(5.5HP/6.5HP)



GX270/GX390
(9HP/13HP)



WP20



WP30



DP20(170F)
2"



DP30(173F/178F)
3"



DP40(186FA)
4"



RB20(5.5HP)



RB28(7.5HP)



PTG205-RB20



PTG307-RB20



DG2500CL/E(2KW)



DG3500CL/E(3KW)



DG6500CL/E(5KW)



RB20+F+C(Pin)



RB20+F+C(Dynapac)



Pin Type Shaft 1/6m
(38mm/45mm/50mm/60mm)



DG6500E-4(5KW)



DG6500SE-1(5KW)



DG6500WE-1(2KW)
GENERATING / WELDING



Pin Type Coupling



Dynapac Type Coupling(A)



Dynapac Type Coupling(B)



Dynapac Type Shaft 1/6m
(38mm/45mm/50mm/60mm)



Pin Type Frame



Dynapac Type Frame



Pin Type Frame with Rubber



C-90



C-120



C-160



CM120/140/160/180/200



CM350



C-330



RM80-RB20



Fuel Tank



Rubber



Pan



SM100



R600



T-350



T-450



Blade A



Blade B



Blade



Clutch



Plate

PISTON AIR COMPRESSOR



Model	W3108	W3118	W3125	W1.65	W2.655	W3.65	W3.55	WV4.65	2V4.65	HS4.58
Air Displacement	2.6m³/min	3.6m³/min	3.5m³/min	3.8m³/min	2.85m³/min	3m³/min	3.5m³/min	4.0m³/min	4.8m³/min	4.5m³/min
Exhaust Pressure	0.7mpa	0.7mpa	0.7mpa	0.7mpa	0.7mpa	0.7mpa	0.7mpa	0.7mpa	0.7mpa	0.6mpa
Crankshaft speed	1130mm	1060mm	990mm	1180mm	1070mm	1070mm	1070mm	970mm	980mm	980mm
(No.)×Dia. of Cylinder	3×108mm	3×108mm	3×125mm	3×108mm	3×115mm	3×125mm	3×125mm	4×125mm	4×125mm	4×125mm
Piston stroke	85mm	105mm	110mm	85mm	105mm	105mm	105mm	105mm	105mm	112mm
Drive method	belt	belt	belt	belt	belt	belt	belt	belt	Belt/Directly	Directly
Gas Receiver Volume	130 L	200 L	200 L	130 L	200 L	200 L	200 L	230 L	230 L	200/230 L
engine	S118513kw	S111513kw	S112518.5kw	S108011kw	S110513kw	S111513kw	S112518.5kw	L3218.5kw	QC490G22kw	QC99027kw
(Diesel/elec) N.W.	320/306KG	415/376KG	410/398KG	290/278KG	400/366KG	405/362KG	430/398KG	500/466KG	480/386KG	650/506KG
Package (mm)	1630×750×1130	1750×940×1290	1800×940×1290	1630×750×1130	1750×940×1290	1750×940×1290	1750×940×1290	1900×1070×1330	2120×890×1500	2030×945×1500

压缩机头COMPRESSOR HEAD



2065



2080
2090



AIR PICK



ROCK DRILL
H18/H20/H24



DRILL ROD
1/1.5 METER



RUBBER PIPE
Φ25*18(Φ19*18)



DRILL BIT 32 / 40

主要技术参数The main technical parameters

型号 Model	气缸套直径 Cylinder Dia(mm)	冲程 Stroke (mm)	工作压力 Working Pressure		空气消耗率 Air Consumption		钻杆 Drill Rod (mm)	净重 N.W (Kg)	毛重 G.W (Kg)	尺寸 Dimension (L×W×H)(mm)
			MPa	Bar	m³/min	cfm				
HY18	58	50	0.4	4	1.4	49	B22×108	17	21	590×280×180
HY20	64	52	0.4	4	1.7	60	B22×108	18	21	590×280×180

型号 Model	功率Power		空气置换率	最大压力	缸径		净重	尺寸
	KW	HP	Air Displacement L/min	Max pressure bar	Cylinder Dia D/N		N.W. KG	Dimension (L*W*H) (cm)
2065	2.2	3.0	250/200	8/12.5	Φ65x2	Φ65x1 Φ51x1	20	39x26x35
2080	4.0	5.5	480/380	8/12.5	Φ80x3	Φ80x1 Φ65x1	34	57x50x45
2090	4.0	5.5	600/400	8/12.5	Φ90x2	Φ90x1 Φ65x1	35	57x51x46

颚式粉碎机 Jaw Crusher



型号 Model	最大给料粒度 Max Feeding size [mm]	排料口调整范围 Discharge Size [mm]	生产能力 Capacity [m ³ /h]	主轴转速 Main Shaft Speed [r/min]	电机功率 Power [kw]	外形尺寸 Overall Dimension [mm]	重量 Weight [kg]
PE150 × 250	125	10-40	1-3	285	5.5	896 × 745 × 935	700
PE200 × 300	180	20-70	2-8	285	7.5	1256 × 1100 × 1120	800
PE250 × 400	210	20-80	3-13	300	18.5	1430 × 1310 × 1340	3000
PE400 × 600	340	40-90	10-40	275	30	1700 × 1732 × 1653	7200
PE500 × 750	425	50-100	34-68	275	55	2050 × 1860 × 2145	11320
PE600 × 900	500	75-200	45-120	250	75	2792 × 2168 × 2250	17600
PE750 × 1060	630	80-200	80-160	250	90	4180 × 2560 × 3070	30530
PE800 × 1060	680	100-200	80-160	250	90	4280 × 2560 × 3070	31500
PE900 × 1200	750	100-200	90-200	200	110	5200 × 2900 × 3500	50000
PEX150 × 750	125	10-40	5-15	300	15	1220 × 1480 × 1180	3600
PEX250 × 750	210	10-50	8-22	300	22	1400 × 1617 × 1412	4960
PEX250 × 1000	210	15-55	10-32	300	37	1580 × 1992 × 1380	7350
PEX250 × 1200	210	15-60	12-38	300	37	1530 × 2192 × 1380	8700
PEX300 × 1300	250	20-90	15-65	300	75	1930 × 2400 × 1747	11600

Parts of Equipment



石头粉碎机 Stone Crusher



主要技术参数 The main technical parameters

型号 Model	hm-6	hm-8	hm-10
尺寸 Dimension	630*630*700mm	630*680*700mm	630*730*730mm
净重 Net weight	130kg	145kg	160kg
容量 Capacity	1500-2000kg/h	1500-2000kg/h	1500-2000kg/h
最大进料量 Max feeding size	≤70mm	≤70mm	≤70mm
锤头数量 Hammer head qty	6pcs	8pcs	10pcs
配套电机 Adapted motor	15-24hp motor or diesel engine		

配件 ACCESSORIES



锤头

Hammers



小轴

Minor axis



中心轮

Center Wheel



筛筛板

screen plate



弯片

Bend plate



上片

Top plate



大铁片

Big plate



下片

Bottom plate



轴承座

SN511 Bearing seat



6309-2RS 轴承
bearing 6309 -2RS



皮带轮
Pulley

电源吊机 Power Crane



卷扬机 WINDLASS



主要技术参数 The main technical parameters

型号 Model	电压 Voltage (V)	起吊高度 Lift height (m)	半径 Crane Radius (m)	钢丝绳长度 Length of steel rope (m)	钢丝绳半径 Radius of steel rope (mm)
LL3000-3T	380	3	2	30	12

主要技术参数 The main technical parameters

型号 Model	长 L	宽 W	高 H	重 Weight	绳 String
0.7T	565	320	490	85kg	7.7 ^ø 150m
1T	595	345	545	100kg	7.7 ^ø 170m
1.5T	720	370	660	153kg	10 ^ø 185m
2T	810	450	700	240kg	11 ^ø 230m
3T	895	500	750	335kg	13 ^ø 265m
5T	1040	565	970	480kg	13 ^ø 270m

圆股钢丝绳 ROUND STRAND WIRE ROPES

主要技术参数 The main technical parameters

钢丝绳直径 Rope Diameter		钢丝绳公称抗拉强度(MPa) Nominal Tensile Strength of Rope			参考重量 Approx Weight (kg/100m)	
		1470	1570	1670		
毫米 mm	英寸 inch	钢丝绳最小破断拉力 Minimum Breaking Load of Rope			N ¹ 天然纤维 芯钢丝绳 防腐	S ² 合成纤维 芯钢丝绳 防腐
		KN				
8	5/16	26.30	28.10	29.90	20.40	19.50
9	3/8	33.30	35.60	37.80	25.80	24.60
10	13/32	41.10	43.90	46.70	31.80	30.40
11	7/16	49.80	53.10	56.50	38.50	36.80
12	15/32	59.20	63.30	67.30	45.80	43.80
13	1/2	69.50	74.20	79.00	53.70	51.40
14	9/16	80.60	86.10	91.60	62.30	59.60
16	5/8	105.00	112.00	119.00	81.40	77.80
18	23/32	133.00	142.00	151.00	103.00	98.50
20	13/16	164.00	175.00	187.00	127.00	122.00
22	7/8	199.00	212.00	226.00	154.00	147.00
24	15/16	237.00	253.00	269.00	183.00	175.00
26	1-1/32	278.00	297.00	316.00	215.00	206.00
28	1-1/8	322.00	344.00	366.00	249.00	238.00
(30)	1-3/16	370.00	395.00	420.00	286.00	274.00
32	1-1/4	421.00	450.00	478.00	362.00	311.00
(34)	1-5/16	475.00	508.00	540.00	368.00	351.00
36	1-3/8	533.00	569.00	606.00	412.00	394.00
38	1-1/2	594.00	634.00	675.00	459.00	439.00
40	1-9/16	658.00	703.00	748.00	509.00	486.00

注: 1. 最小破断拉力总和=钢丝绳最小破断拉力x1.150 (纤维芯)
2. 新设计设备不得选用括号内钢丝绳直径。

Note:

1. Minimum aggregate breaking force=Minimum breaking load x 1.150 (For fiber core)
2. The diameter in the bracket are not suitable for the new designed equipment.

执行标准: GB/T8918-1996
STANDARD: GB/T8918-1996

适用于船舶、货网、浮运木材、渔业拖网、

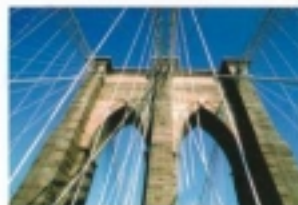
捕捞

For tugboat, cargo net, floating of wood, fish net dragging and bend

6x24+7FC



6x24+7FC



圆股钢丝绳(光面和镀锌)

ROUND STRAND WIRE ROPES(Ungalvanized and galvanized)

主要技术参数 The main technical parameters

钢丝绳直径 Rope Diameter		钢丝绳公称抗拉强度(MPa) Nominal Tensile Strength of Rope					参考重量 Approx Weight	
		1470N/m ²	1570N/m ²	1670N/m ²	1770N/m ²	1830N/m ²		
毫米 mm	英寸 inch	钢丝绳最小破断拉力 Minimum Breaking Load of Rope(KN)					N ¹	S ²
		镀锌-ZFC	镀锌-ZFC	镀锌-ZFC	镀锌-ZFC	镀锌-ZFC		
3							3.38	2.38 ¹
4							6.38	4.05
5				8.50	9.00	9.50	9.50	6.12
6			11.30	12.00	12.70	13.40	13.40	8.65
7		14.80	15.80	16.80	17.80	18.80	18.80	12.12
8		19.80	20.30	21.60	22.90	24.50	24.50	15.58
9		24.60	26.20	27.90	29.50	31.20	31.20	19.15
10		30.50	32.50	34.60	36.70	38.70	38.70	24.97
11		36.90	39.40	41.80	44.30	46.80	46.80	30.19
12		43.80	46.30	49.20	52.10	55.10	55.10	35.32
14		58.20	63.20	67.20	71.20	75.20	75.20	48.53
16		78.10	81.20	86.40	91.50	96.70	96.70	62.33
18		98.40	105.00	111.70	118.40	125.10	125.10	80.62
20		121.70	129.90	138.20	146.50	154.70	154.70	99.70
22		147.40	157.40	167.50	177.50	187.60	187.60	126.80
24		175.40	187.50	199.50	211.40	223.40	223.40	163.90
26		206.30	220.30	234.80	248.80	262.50	262.50	205.03
28		238.40	252.90	268.10	283.20	298.10	298.10	254.11
30		272.30	290.90	309.40	327.90	347.60	347.60	323.65
32		310.30	331.40	352.50	373.60	394.70	394.70	404.24
34		351.90	377.90	402.90	428.10			509.97
37		414.00	442.30	470.60				539.35
40		486.60	518.80	552.80				686.78

6x12+7FC



6x12+7FC



6x15+7FC



6x15+7FC

钢丝绳直径 Nominal Diameter		钢丝绳公称重量 Approx. Weight		钢丝绳公称抗拉强度(MPa) Nominal Tensile Strength of Rope				
				1470	1570	1670	1770	1870
d	允许公差 Tolerance	N ¹ 天然纤维 芯钢丝绳	S ² 合成纤维 芯钢丝绳	钢丝绳最小破断拉力 Minimum Breaking Load of Rope				
				KN				
mm	%	kg/100m						
8		12.90	11.90	16.90	18.10	19.20	20.40	21.50
10		20.00	18.50	26.30	28.30	30.10	31.90	33.70
12		28.90	26.60	38.10	40.70	43.30	45.90	48.50
14		39.20	36.30	51.90	55.40	58.90	62.40	66.00
16		51.20	47.40	67.70	72.30	77.00	81.60	86.20
18		64.80	59.90	85.70	91.60	97.40	103.00	108.90
20		80.90	74.90	106.00	113.00	120.00	127.00	133.00
22		98.60	91.50	128.00	137.00	145.00	154.00	163.00
24		118.00	109.00	152.00	162.00	173.00	184.00	194.00
26		139.00	129.00	178.00	190.00	202.00	215.00	228.00
28		162.00	149.00	207.00	220.00	234.00	248.00	264.00
30		188.00	173.00	238.00	254.00	271.00	287.00	305.00
32		206.00	189.00	271.00	289.00	308.00	328.00	348.00
34		226.00	214.00	298.00	327.00	358.00	379.00	399.00
36		248.00	240.00	341.00	376.00	408.00	440.00	466.00
38		288.00	267.00	390.00	438.00	478.00	518.00	556.00
40		328.00	296.00	430.00	488.00	538.00	588.00	639.00
42		352.00	320.00	470.00	528.00	588.00	648.00	699.00
44		387.00	358.00	510.00	568.00	638.00	708.00	762.00

执行标准: GB/T8918-1996
STANDARD: GB/T8918-1996

适用于船舶、货网、浮运木材、捕捞等

For tugboat, goods net, floating transportation of wood, bunding etc.

ZJY 型轴装式圆柱齿轮减速

Type ZJY Shaft Assembly Cylindrical Gear decelerators



主要技术参数 The main technical parameters

机型 Type	Z	Φ	D	d	d1	H	e	c	G1	R	L	G	S	a	i
ZJY106	67	13	45	24	14	16	50	83	88	315	103	240	80	40	50
ZJY125	76	13	55	28	20	16	60	78	100	378	120	270	102	48	55
ZJY150	85	13	60	38	20	20	80	98	110	445	144.3	330	105	53	65

SMR 轴装式减速机 SMR Shaft Mounted Reducer



主要技术参数 The main technical parameters

尺寸 Dimensions		型号 SMR (SMR size)							
		B	C	D	E	F	G	H	J
A		134	142	152	170	189	212	242	257
B	标准轴径 Standard	30	40	50	55	65	75	85	100
	可选轴径 Alternative	40	50	55	65	75	85	100	120
C		63	72	77	85	90	105	116	135
D		59	65	68	76	87	110	115	119
E		80	90	100	115	130	145	170	200
F		19	22	25	28	32	42	48	55
输入轴键槽 Input Shaft Keyway		6*3.5*50	6*3.5*59	8*6*63	8*6*70	10*6*70	12*6*90	14*6.5*100	16*6*100
重量	5:01	15	21	30	41	53	82	133	194
Weight	13:1-20:1	16	22	32	46	55	92	144	208
(实际传动比) Exact gear ratios									
名义传动比 Normal Ratio	5:01	5.05	5.05	5.047	5.047	5.047	5.047	5.047	5.047
	13:01	13.984	13.596	13.589	13.589	13.589	13.589	13.589	13.589
	20:01	20.997	20.466	20.456	20.456	20.456	20.456	20.456	20.456

自吸水泵 Self Suction Pump



NS-50/80/100/150
(2"/3"/4"/6")



2"/3"/4"/5"/6"/8"/10"/12"

主要技术参数 The main technical parameter

型号 (Model)	扬程 (Pump Lift)	流量 (Flow)	吸程 (Suction)	转速 (Rev)	配套动力 (Power)
NS-50	20m	33m ³ /h	8m	2000r/min	5kw
NS-80	20m	78m ³ /h	8m	1450-2900r/min	5.5-7.5kw
NS-100	22m	102m ³ /h	8m	1450-2900r/min	7.5-11kw
NS-150	20m	160m ³ /h	8m	1450-2900r/min	11-15kw

PVC水带 PVC Layflat Hose



主要技术参数 The main technical parameters

尺寸 Inch	内径 Inner Diameter	工作压力 Working Pressure	爆破压力 Bursting Pressure	净重 Net Weight	打包尺寸 Packing Size
(inch)	(mm) ±0.3	(bar)	(bar)	100m (kg) ±0.1	DXH (cm)
2"	51	2	6	22.5	50*8cm
3"	76	2	6	37.5	50*12cm
4"	102	2	6	50	50*16cm
6"	150	2	6	90	50*24cm

PVC钢丝螺旋增强软管PVC steel-knitted screw strength soft hose



主要技术参数 The main technical parameters

软管英制尺寸 (inch)	软管公制尺寸(mm) Hose Nominal Dimension		每米重量 kg/m Weight	每件长度(m) Length	包装尺寸(mm) Measure		常用压力 Normal pressure Mpa	爆破压力 Burst pressure Mpa	最小弯曲 半径 MBR
	内径I.D.	外径O.D.			外径	高度			
3	75	81.8±0.2	1.4	30	1050	340	0.3	0.8	200
	75	82.4±0.2	1.6	30	1050	340	0.3	0.8	200
	75	83.6±0.2	1.8	30	1050	340	0.3	0.8	200
	75	85±0.2	2	30	1130	330	0.3	0.8	200
	75	85.8±0.2	2.2	30	1150	350	0.3	0.8	200
4	102	110±0.2	2.5	30	1180	450	0.3	0.8	300
	102	110.8±0.2	2.7	30	1180	430	0.3	0.8	300
	102	112±0.2	3.0	30	1180	430	0.3	0.8	300
	102	114.2±0.2	3.5	30	1180	440	0.3	0.8	300
	102	114.6±0.2	4.0	30	1180	450	0.3	0.8	300
	102	121.6±0.2	5.0	30	1180	460	0.3	0.8	300

PVC纤维增强软管PVC fiber strength soft hose



主要技术参数The main technical parameters

软管英制尺寸 (inch)	软管公制尺寸(mm) Hose Nominal Dimension			常用压力 W.P.	爆破压力 B.P.	每件重量 Weight	包装尺寸 Measure	
	内径 I.D.	外径 O.D.	长度 Length				直径 D	高度 H
Inch	mm			Mpa	Mpa	kg/roll	mm	
3/4	19	25	50	0.6	1.5	14	500	180
1	25	31	50	0.5	1.2	17.8	580	170
2	50	62	30	0.4	1.1	43	1000	250

喷雾器SPRAYER



主要技术参数The main technical parameters

容量 Capacity	材料 Material	工作压力 Working Pressure	最大压力 Max pressure	气室容量 Air Chamber Capacity	软管长度 Skin Tube Length	尺寸 Dimension	重量 Weight
16L	PP	0.2-0.3Mpa	1Mpa	0.9L	1.5m	35.5*18.8*50.5cm	2.4kg
18L	PP	0.2-0.4Mpa	1Mpa	0.9L	1.5m	35.5*19*50.5cm	2.6kg
20L	PP	0.2-0.5Mpa	1Mpa	0.9L	1.5m	36.5*19.5*50.5cm	2.7kg



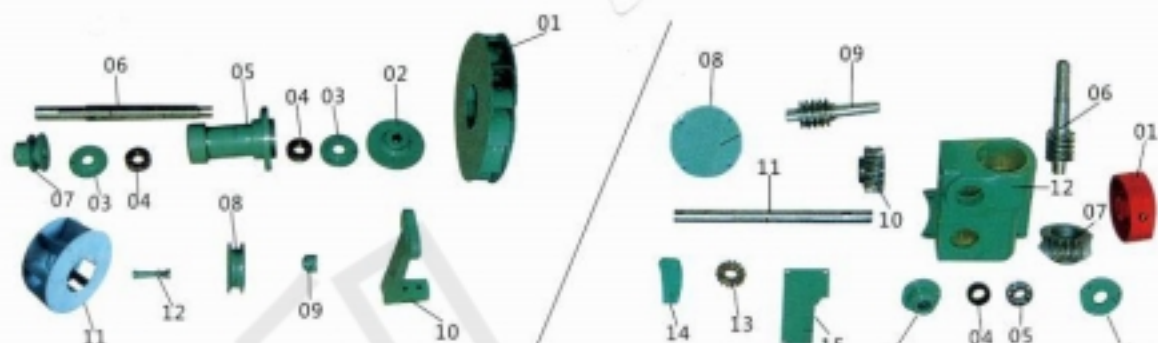
N50/N70/N120



N70D/NPF110



主轴部分
PART NO A: MAIN SHAFT SECTION



风机轴和涨紧轮部分
PART NO B: FAN SHAFT AND TENSION PULLEY

蜗轮箱部分
PART NO C: WORM BOX

编号 Ref. No.	配件名称 Part Name	数量 Q' ty	编号 Ref. No.	配件名称 Part Name	数量 Q' ty	编号 Ref. No.	配件名称 Part Name	数量 Q' ty
A-01	RIGHT DUST SHIELD 右防尘罩	3	A-09	SCREEN 筛片	1	A-17	INNER CYLINDER 内圆框	1
A-02	OUTER FRAME 外框架	1	A-10	PRESS PLATE 压条	1	A-18	NYLON WASHER 尼龙垫圈	1
A-03	BIG GEAR 大齿轮	1	A-11	OIL SEAL 油封	1	A-19	SCREW ROLLER 输送头	1
A-04	LEFT DUST SHIELD 左防尘罩	1	A-12	BEARING BUSH 紧定衬套	1	A-20	IRON ROLLER 铁辊筒	1
A-05	SCREEN FRAME 筛框	2	A-13	BEARING 轴承	2	A-21	MAIN SHAFT 主轴	1
A-06	NYLON SLEEVE 尼龙套	1	A-14	TAVEST WASHER 止退垫圈	2	A-22	SPINDLE PLUG 主轴闷塞	2
A-07	BOLT & WASHER 螺钉和垫圈	1	A-15	ROUND NUT 圆螺母	1	A-23	MAIN PULLEY 主皮带轮	1
A-08	BOLT & WASHER 螺钉和垫圈	1	A-16	BEARING COVER 轴承盖	1	1-12	LOCKING NUT 锁紧螺母	1

编号 Ref. No.	配件名称 Part Name	数量 Q' ty	编号 Ref. No.	配件名称 Part Name	数量 Q' ty	编号 Ref. No.	配件名称 Part Name	数量 Q' ty
B-01	JET AIR BLOWER FAN VANE 喷风风机叶轮	2	B-05	BEARING BASE 轴承座	2	B-09	TENSION PULLEY SLEEVE 涨紧轮套	1
B-02	VANE PLANGE 风机叶轮法兰	2	B-06	FAN SHAFT 风机轴	1	B-10	FRAME FOR BLOWER 风机支架	1
B-03	BEARING COVER 轴承盖	2	B-07	V-PULLEY FOR BLOWER 风机三角带轮	1	B-11	SUCTION AIR BLOWER FAN VANE 吸糠风机叶轮	1
B-04	BEARING 轴承	2	B-08	TENSION PULLEY 涨紧轮	1	B-12	TENSION PULLEY SHAFT 涨紧轮轴	1

PART NO C:

编号 Ref. No.	配件名称 Part Name	数量 Q' ty	编号 Ref. No.	配件名称 Part Name	数量 Q' ty	编号 Ref. No.	配件名称 Part Name	数量 Q' ty
C-01	PULLEY 皮带轮	1	C-06	WORM SHAFT(L) 蜗杆(长)	1	C-11	WORM BOX SHAFT 蜗轮箱轴	1
C-02	END COVER(1) 端盖(1)	3	C-07	WORM GEAR(R) 蜗轮(右)	2	C-12	WORM BOX BODY 蜗轮壳	1
C-03	BEARING COVER 轴承盖	1	C-08	END COVER(2) 端盖(2)	2	C-13	SMALL GEAR 小齿轮	1
C-04	OIL SEAL 油封	1	C-09	WORM SHAFT(S) 蜗杆(短)	1	C-14	GEAR COVER 齿轮罩	1
C-05	BEARING 轴承	1	C-10	WORM GEAR(L) 蜗轮(左)	1	C-15	DUST COVER 防尘盖	1



SB-10

SB-30

SB-50

型号 Model	处理量 (吨/小时) Capacity Metric Ton/Hour	需配功率 Power Require (Kw)	净重 Net Weight (Kg)	外形尺寸 Overall Dimension (mm)
SB-10(4")	0.60-0.90	7.5-11	195	1050×660×1550
SB-30(6")	1.10-1.50	15	230	1070×760×1760
SB-50(10")	2.00-2.30	22	280	2400×1090×2090



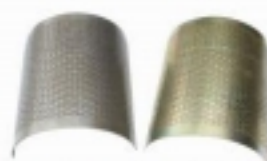
LN632F

6NF-9(400-1)

型号 Model	处理量 (吨/小时) Capacity Metric Ton/Hour	需配功率 Power Require (Kw)	净重 Net Weight (Kg)	外形尺寸 Overall Dimension (mm)
LN632F	0.8-0.9	11	120	700×450×1105
6NF-9(400-1)	0.4-0.5	7.5	78	600×350×1205



ROLL



SCREEN / TAMI



FFC-23/FFC-37/FFC-45



FFC-23/FFC-37/FFC-45

型号 Type No.	FFC-45	FFC-37	FFC-23
功率 Power	10KW	7.5KW	3KW
转速 Speed(r/min)	1455rpm	1455rpm	2840rpm
尺寸 Overall dimension (L x W x H)	1180×740×745	1100×660×650	650×670×515
重量 Weight(excluding motor or diesel engine, dpprex)	250Kg	210Kg	65Kg



MM40



MM50



MM75

型号 MODEL	MM40-with engine	MM50-with engine	MM75-with engine
适用品种 Processing Type:	corn, sweet potatoes, ricebran, etc		
处理方式 Processing:	maize mill		
容量 Capacity:	400-500kg/h	500-800kg/h	800-1200kg/h
功率 Power:	12hp diesel engine	15hp diesel engine	15hp diesel engine
速度 Speed:	3600-4000rpm		
给料量 Feed Size:	≤ 600mm		
释放量 Discharge size:	0.8-1.2mm		



BP150

型号 MODEL	Bp150-single	Bp150-with engine	Bp150-with motor
适用品种 Processing Type:	maize		
处理方式 Processing:	shelling		
容量 Capacity:	800-1600kg/h		
功率 Power:	15kw motor or 15hp diesel engine	15hp diesel engine	15kw motor
速度 Speed:	1400-2200rpm		

6YL-95A/ZX-10 SCREW OIL PRESS



6YL-95A



ZX-10



PLATE FRAME OIL FILTER
YLB307

型号 Model	6YL-95A	ZX-10
容量 Capacity(24h)	3-5	3-5
功率 Power(kw)	7.5	7.5
工作压力 Working pressure	<7.5%	<7.5%
干饼残油 Oil residue of dry cake	<7.5%	<7.5%
尺寸 Overall dimensions	1600*700*1350	1600*700*1350
重量 Weight	650/530	650/530

型号 Model	YLB307
容量 Capacity(kg/h)	120-180
功率 Power(kw)	1.5-4P
过滤压力 Filter pressure(Mpa)	0.1-0.3
过滤面积 Filter area	3m ²
尺寸 Overall dimensions(mm)	1270*570*640
重量 Weight(kg)	430



BP120



BK03



BK03

型号 MODEL	BP120-single	BK03-with engine	BK03-with motor
适用品种 Processing Type:	coffee	palm kernel, walnut, coconut shells, fish bones and other hard crops	
处理方式 Processing:		shelling	
容量 Capacity:	30-100kg/h	800kg/h	
功率 Power:	1.1kw motor	7hp engine	5.5kw motor
速度 Speed:		2050-2400rpm	



COTTON SEED



SOYABEAN



TEA SEED



FLAXSEED



PEANUT



BLACK SESAME



WHITE SESAME



SUNFLOWER SEED



COPRA



CASTOR SEED



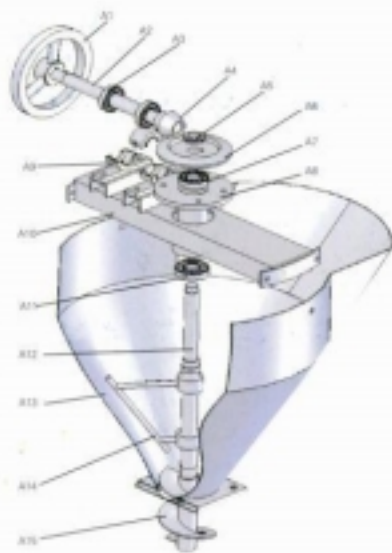
RAPE SEED



PALM KERNAL

SPARE PARTS OF SCREW OIL PRESS MACHINE 6YL-95A AND ZX-10

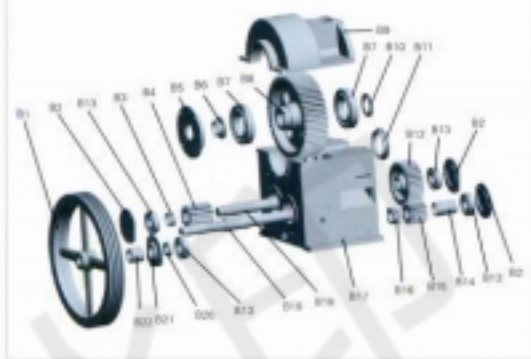
Structure Diagram of Feed Hopper



A1  Big even belt wheel	A2  Feeder driving shaft
A3  Bearing 6205	A4  Small bevel gear
A5  Round nut M24	A6  Big bevel gear
A7  Bearing 6205	A8  Bearing base
A9  Bearing case 505	A10  Cross bar
A11  Bearing 180206	A12  Feed shaft
A13  Feeder	A14  Wiper
A15  Twister	B1  Big v-belt wheel
B2  Gland	B3  Spacing collar 1

SPARE PARTS OF SCREW OIL PRESS MACHINE 6YL-95A AND ZX-10

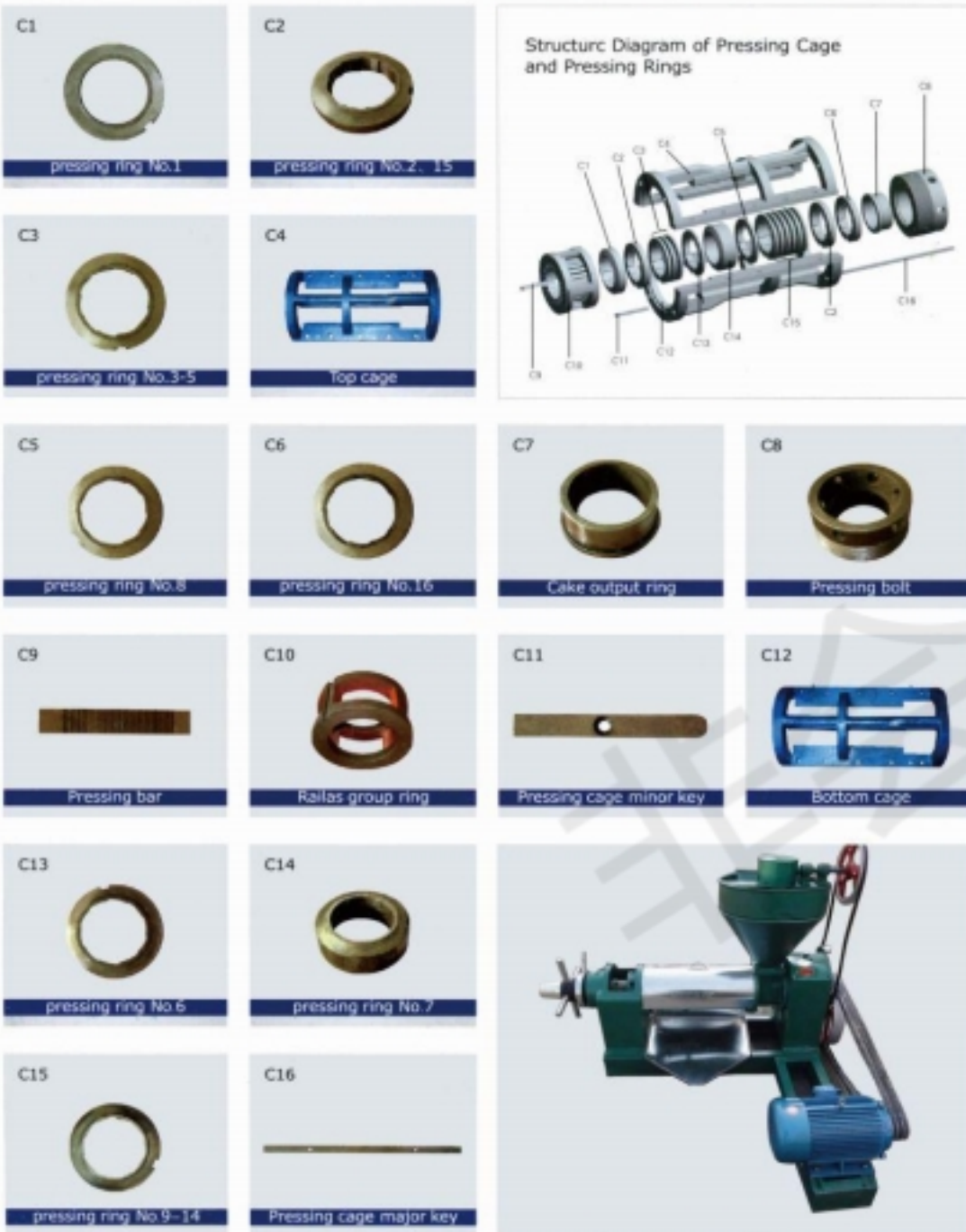
Structure Diagram of Gearbox



B4  Long gear 13 teeth	B5  Big gland
B6  Connecting bush	B7  Bearing 6218
B8  Gear 55 teeth	B9  Gearbox cover
B10  Striker ring	B11  Bush
B12  Gear 34 teeth / 40 teeth	B13  Bearing 6308
B14  Spacing collar 2	B15  Gear 15 teeth
B16  Oil gear	B17  Gearbox body
B18  Gearbox minor axis	B19  Gearbox major axis
B20  Oil seal	B21  Gland with hole
B22  Small triangle belt wheel	

ARRANGEMENT OF PRESSING RINGS FOR 6YL-95A

ARRANGEMENT OF WORM FOR 6YL-95A



ARRANGEMENT OF PRESSING RINGS FOR ZX-10



ARRANGEMENT OF WORM FOR ZX-10



Low-carbon life
低碳生活·创造美好明天
Creating a better future



MJ-85 Flow Meter

ZYB-50 Vane Pump



MJ-85S Flow Meter

ZCB-90 Gear Pump



MJ-55 Flow Meter

ZCH-50 Gear Pump



MD20(3/4")

MD20(1")



Single Nozzle
JDK50J1111H(1 Hose 1 Pump)
External Dimension:860×420×2050mm

Double Nozzle
JDK50J2121H(2 Hose 1 Pump)
JDK50J2222H(2 Hose 2 Pump)
External Dimension:960×430×2050mm



Inverter



Solar battery



Controller



PV Array
太阳能阵列



Terminal Cabinet
汇流箱



Integrated Inverter&Controller
专用逆变器控制器



Pump
水泵



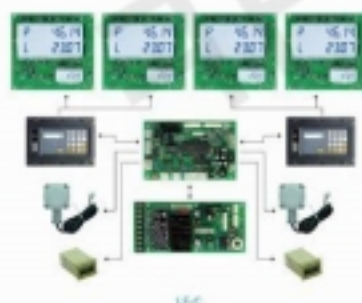
Inverter



Mono solar panel



Poly solar panel



GX160 GX200



 机体	 罩盖(组)	 罩盖(高)		
 汽缸盖总成	 曲轴	 曲轴轴总成	 连杆总成	 活塞
 活塞环总成	 磁大轮	 磁电机总成	 进气门	 机油报警器
 调速齿轮总成	 冷却风扇	 熄火开关	 机油标尺组件	 燃油控制阀
 调速器臂轴	 活塞销	 进气门弹簧托板	 导向板	 排气门护圈
 摇臂组件	 推杆	 滤芯	 化油器	 隔热板
 动力空气滤器	 动力消声器	 扇壳	 油封密封	 启动器总成
 滚动球轴承	 把手	 拉绳	 弹簧	 驱动轮
 盖板	 衬块	 气门弹簧	 飞轮罩	 启动轮
 动力油箱	 油箱盖	 调速器臂	 调速器	 汽缸盖罩总成
 消声器垫片	 汽缸盖垫片	 油箱垫片	 汽缸盖罩垫片	 滤网组件

 面板1	 面板2	 发电机开关	 电压表	 空气开关	 点火钥匙
 锁扣插头	 锁扣插座	 铝风扇	 电机磁护罩	 定子(2KW)	 定子(5KW)
 电机轴承(200)	 电机轴承(204)	 铜环(2KW)	 铜环(5KW)	 碳刷	 插线柱
 AVR调节器(2KW)	 AVR调节器(5KW)	 AVR调节器(2KW)	 AVR调节器(5KW)	 电机磁罩(5KW)	 电机磁罩(2KW)
 电机支架(2KW)	 电机支架(5KW)	 磁罩盖	 化油器修理包	 电机磁罩螺钉	 电机磁罩螺钉
 电机中心螺钉	 电机中心螺钉	 减震脚	 减震脚	 水泵	 水泵附件
 水泵连接头	 水泵塑料接头	 水泵密封圈	 电机中心轴油封	 车启动按钮	 V启动按钮
 欧式插座	 日式插座	 插座插头	 日式插座	 欧式插座	 磁罩罩盖螺钉
 磁罩罩盖螺钉	 磁罩罩盖螺钉	 磁罩罩盖螺钉	 磁罩罩盖螺钉		
 磁罩罩盖螺钉	 磁罩罩盖螺钉	 磁罩罩盖螺钉	 螺母		
				 消声器	

**RB20
RB28**



ET950



 箱体	 燃油开关	 化油器		
 气缸总成	 曲轴	 凸轮轴总成	 连杆总成	 活塞
 活塞环总成	 磁飞轮	 磁电机总成	 进排气门	 机油保护器
 调速齿轮总成	 连杆活塞总成	 熄火开关	 机油标尺组件	 火花塞
 纸垫	 活塞销	 进排气门弹簧座	 气缸垫片	 空气滤器
 油箱	 油箱盖	 推杆	 挺柱	 启动器总成
 空滤器 2	 动力消声器	 扇壳	 曲轴油封	 气门弹簧
 深沟球轴承6205	 拉手	 拉绳	 卷簧	 卷轮

 曲轴	 左侧曲轴箱	 右侧曲轴箱	 飞轮		
 缸套	 缸头	 活塞	 活塞环	 滚针轴承	 活塞销
 活塞销弹簧	 定子	 转子	 火花塞	 缸体罩	 磁电机
 轴承104	 线圈04T	 调速叉	 滑环	 缸底密封垫	 日式套筒
 日式插座	 插座	 调速叉	 垫圈/密封	 高压线	 连杆总成
 电压表	 防震脚	 电机后壳	 风叶	 油箱	 消声器
 化油器	 燃油开关	 卷簧	 启动器总成	 密封垫圈	 密封垫圈
 油箱盖	 手柄	 调速叉	 调速叉	 面板	 启动器
 进气管	 二极管6A	 轴承62032	 过流保护器	 整流器	 点火器
 燃油滤网	 缸头密封垫	 开关	 电容器	 手柄	 启动绳